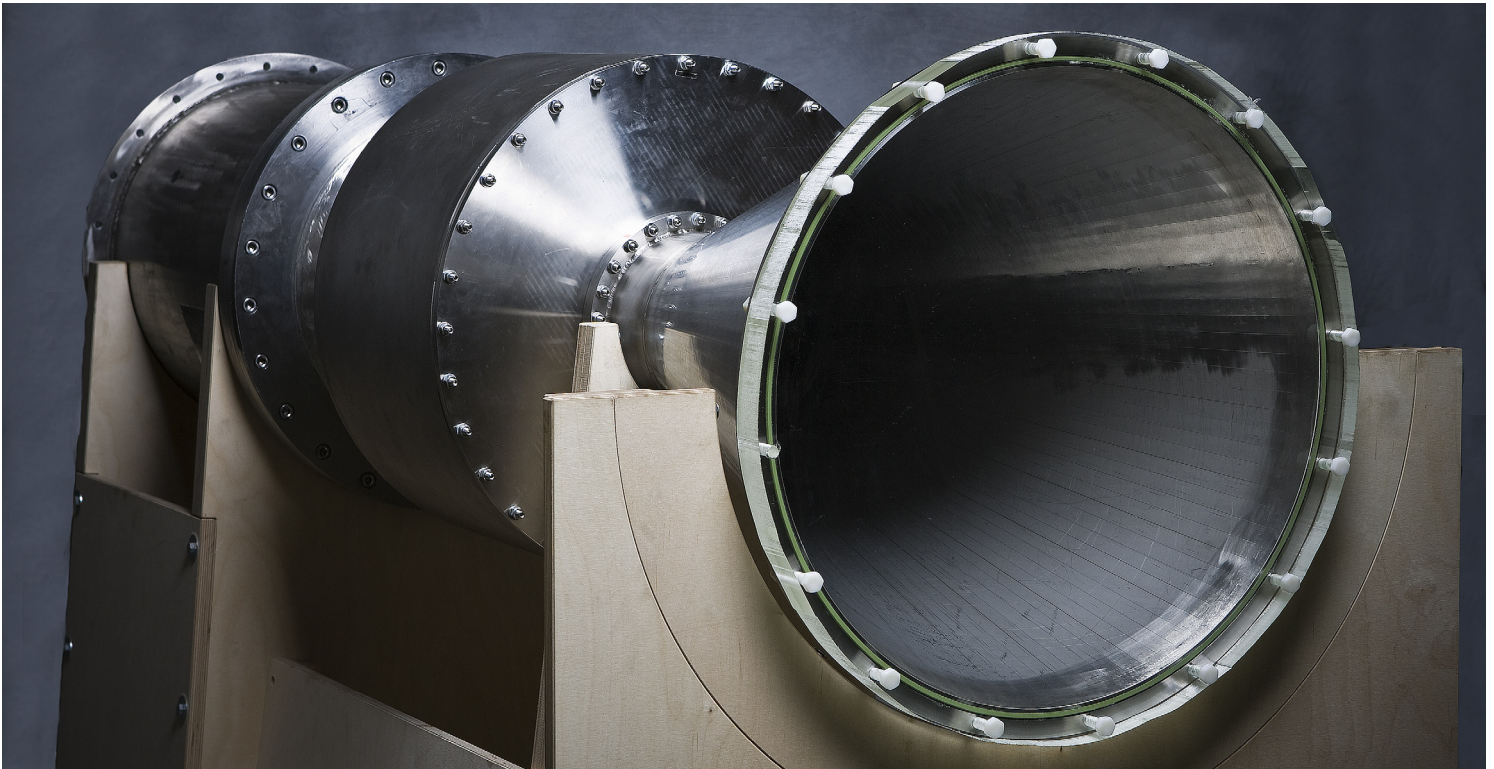


Bofors HPM Blackout

The BAE Systems Bofors HPM Blackout is a versatile and compact stand alone High Power Microwave system suitable for evaluation, research and as a decision tool for microwave effects and/or protection.

It is a fact that on the modern battlefield the deployment of electromagnetic effects is becoming a natural prolongation and complement of the current traditional weapon capabilities. Electromagnetic effects are a reality and during the last decades a considerable effort has been put on protective countermeasures to face this emerging threat. Up until now evaluation of the capabilities has been limited to research labs

and expensive non-mobile equipment. The Bofors HPM Blackout is a GW-level mobile microwave source aimed for evaluating the threats from electromagnetic effects. With this system a realistic perspective is possible with regard to tactical adaptation and the generated level of microwave radiation. Bofors HPM Blackout has proven destructive effects at considerable distance against a broad field of COTS equipment.



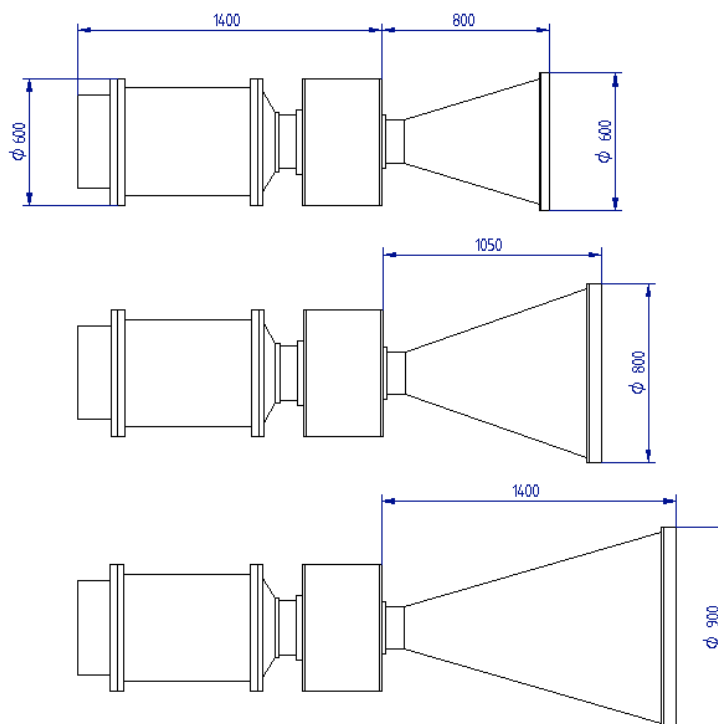
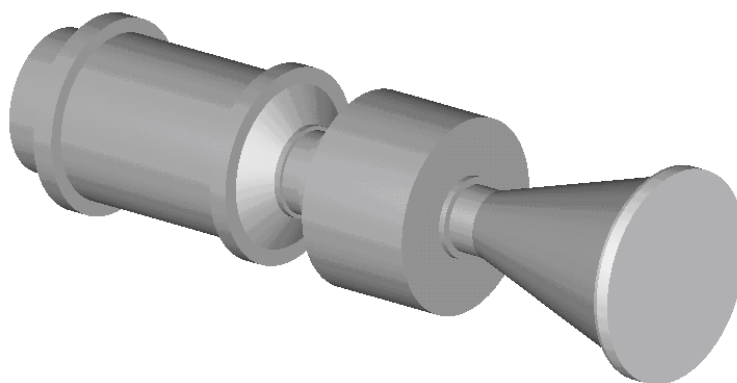
BOFORS HPM BLACKOUT

Performance data

The system is composed of an integrated modulator, a microwave source and an antenna. Adjoining support systems are a vacuum system for the microwave tube and a gas supply system for the modulator. The integrated battery supply makes the system operational in all terrains and independent of standard utilities.

Technical data

Length	< 250 cm
Diameter	< 100 cm
Frequency	L to S band
Pulse length	400 ns
Antenna gain	10-25 dBi



FOR MORE INFORMATION CONTACT:

BAE Systems Bofors AB
SE-691 80 Karlskoga, Sweden
Telephone +46 (0)586 733 000
Fax +46 (0)586 733 012
Email info@baesystems.se
www.baesystems.se

This document gives only a general description of the product or services and except where expressly provided otherwise shall not form part of any contract. From time to time, changes may be made in the products or the conditions of supply.

2008© Copyright BAE Systems Bofors AB
0811.U2IM.99